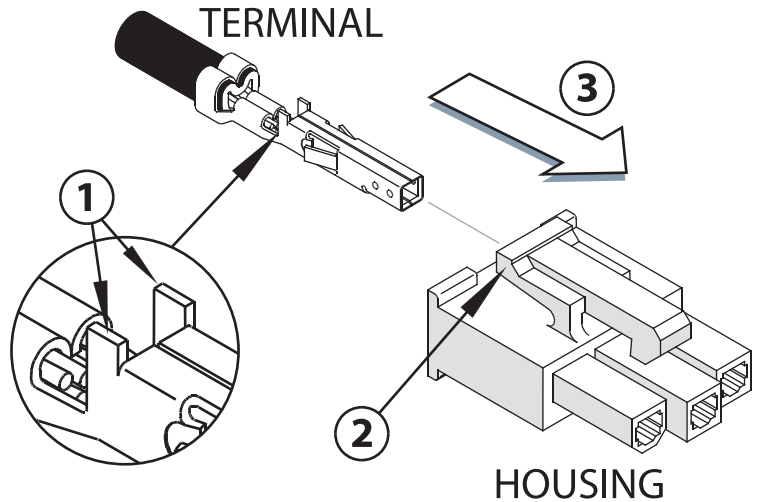


Connector Assembly Procedure

- ① **Orientation Barrels**
Orientation barrels should be facing upwards
- ② **Locking Mechanism**
Locking mechanism should be facing upwards
- ③ **Insert Terminal**
Gently insert the terminal into the housing until it snaps into the locked position. Check and verify the correct position of the terminal before inserting. Once the terminal has been locked into the housing it can only be removed with a special tool.



Configuration Examples

4-Channel Amplifiers

Mosconi D2 100.4 (DSP)
Mosconi ONE 130.4 M (DSP)

Front + 2 Ch.

8	5
12	11
4	3
2	1
+	-
+	-

1. Front Left 2. Front Right

3. 4.

Front + 1 Ch.*

8	5
12	11
4	3
2	1
+	-
+	-

1. Front Left 2. Front Right

3+4 Bridged

6-Channel Amplifiers

Mosconi D2 80.6 DSP
Mosconi ONE 70.6

Front + 4 Ch.*

12	11	8	7
6	5	4	3
2	1		
+	-		
+	-		

1. Front Left 2. Front Right 3. 4. 5. 6.

Front + 3 Ch.*

12	11	8	7
6	5	4	3
2	1		
+	-		
+	-		

1. Front Left 2. Front Right 3. 4. 5+6 Bridged

Front Bridged + 2 Ch.

12	11	8	7
6	5	4	3
2	1		
+	-		
+	-		

1+2 Bridged 3+4 Bridged 5. 6.

8-Ch. Amplifiers

Mosconi ONE 60.8 DSP

Front Bridged + 4 Ch.

16	15	14	11	10	9
8	7	6	5	4	3
2	1				
+	-				
+	-				

1+2 Bridged 3+4 Bridged 5. 6. 7. 8.

Front + 5 Ch.

16	15	14	11	10	9
8	7	6	5	4	3
2	1				
+	-				
+	-				

1. Front Left 2. Front Right 3. 4. 5. 6. 7+8 Bridged

Front + 4 Ch.*

16	15	14	11	10	9
8	7	6	5	4	3
2	1				
+	-				
+	-				

1. Front Left 2. Front Right 3. 4. 5+6 Bridged 7+8 Bridged

*Assignment of Rear Speakers not compatible with RCD/RC-Mini/RTC_HUB.

☒ = Not Connected